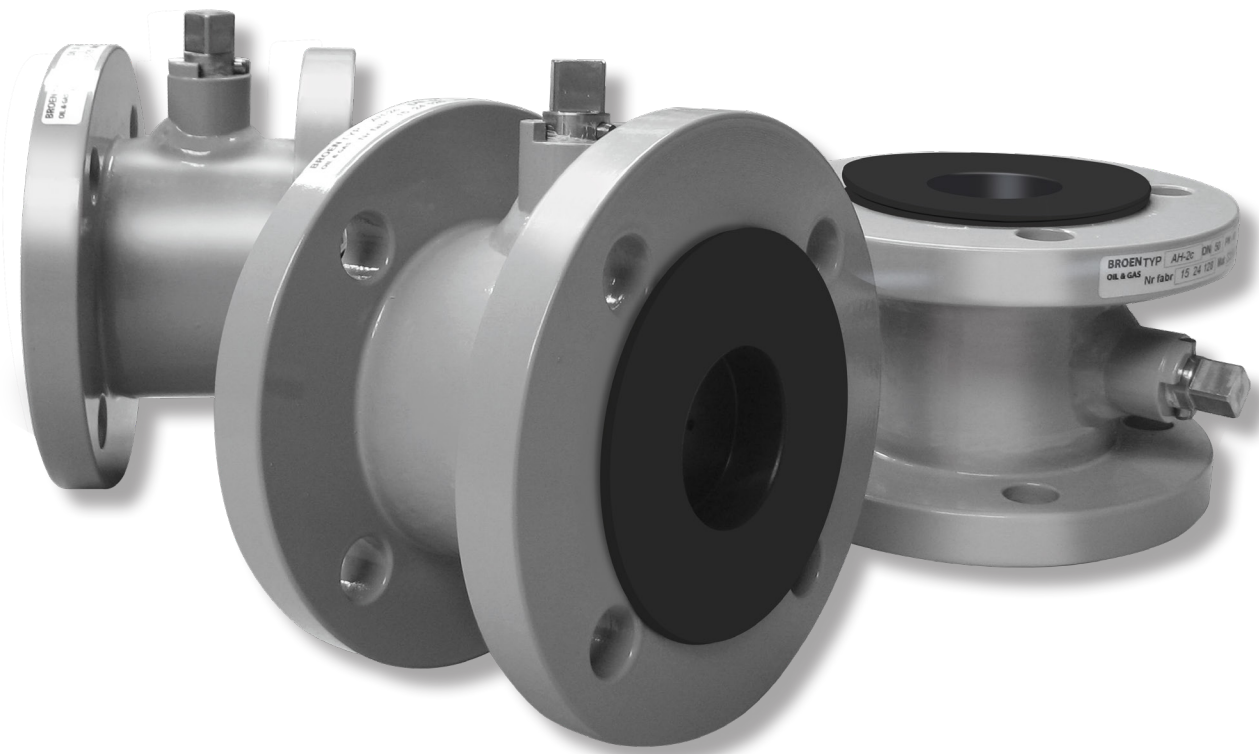


# BROEN

VALVE TECHNOLOGIES

BROEN BALLOMAX®  
BALL VALVES  
for fuels



**BROEN**  
BALLOMAX®

*Designed to Last*

## Scope of production

The largest part of BROEN production constitute BALLOMAX® ball valves with accessories for district heating systems, which are the company's flagship product and showcase.

In 2008, due to the acquisition of a production plant in Poland, specializing in the design, production, supply and service of valves for the oil & gas industry the BROEN product portfolio was expanded with BROEN BALLOMAX® type AH ball valves for gas and fuels.

Ball valves from this product family are utilized in gas, petrochemical, refinery, chemical, district heating and industrial installations.

They are used for various types of media, including:

### Fuels

Diesel  
Propane  
Butane  
LPG  
Gasoline  
JET A1

### Oils

Oil  
Light fractions of crude oil  
Pentane, hexane  
Other petroleum products

## The highest quality guarantee

BROEN is a guarantee of the highest quality. BROEN manufactures ball valves based on the EN ISO 9001 Quality Management System. Every product of the company meets the requirements of the Pressure Equipment Directive 2014/68/EU (PED) - Module H.

The solutions and materials used in production are subjected to multiple checks and pressure tests at the company's research laboratory. This allows for selection and choice of only the

best technological and material solutions that entirely meet the expectations of the most demanding customers and installations.

Each of the BROEN BALLOMAX® type AH ball valves is subjected to full quality control and pressure tests, which guarantee tightness and reliability of products.

CE certificate (PED 2014/68/UE)	CE mark Module H. Ball valves – design, production, control of finished product and pressure testing.
Fire Safe Trunnion Ball Certification	Fire endurance verification of ball valves according to EN ISO 10497 – trunnion ball.
Fire Safe Floating Ball Certification	Fire endurance verification of ball valves according to EN ISO 10497 – floating ball.
EN ISO 3834-2 certificate	Confirmation of the quality requirements of the welding system.
EN ISO 9001 certificate	Design, production, sales and service of ball valves and metalworking services.
ISO 45001 certificate	Occupational health and safety management system.
EN ISO 14001	Environmental management system.
SIL EN 61508-1 certificate	SIL 2. Safety Integrity Level.
СЕРТИФІКАТ ІДПОВІДНОСТІ	Conformity based on full quality assurance (Module H). Ukrainian market.
Conformity Certificatei	Conformity based on full quality assurance (Module H). Serbian market.

# BROEN BALLOMAX® split body ball valves

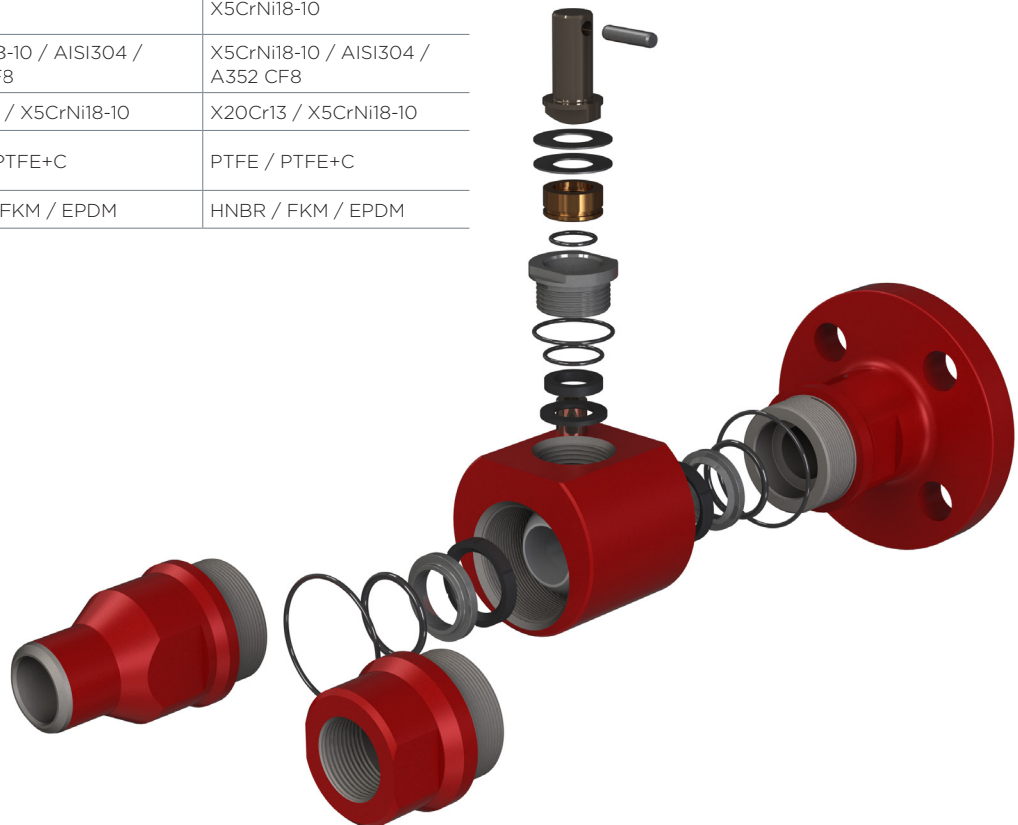
PN 16, PN 25, PN 40, CL 150, CL 300

Part	Material (carbon steel)	Material (stainless steel)
Body	P355NH	X5CrNi18-10
End connection	P355NH	X5CrNi18-10
Ball	X5CrNi18-10 / AISI304 / A352 CF8	X5CrNi18-10 / AISI304 / A352 CF8
Stem	X20Cr13 / X5CrNi18-10	X20Cr13 / X5CrNi18-10
Main seal	PTFE / PTFE+C	PTFE / PTFE+C
O-ring	HNBR / FKM / EPDM	HNBR / FKM / EPDM

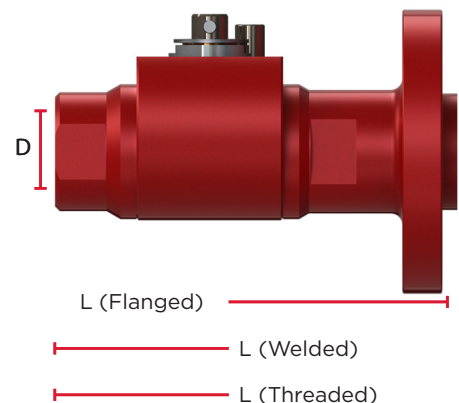
**Temperature range**

-20°C - +150°C

-40°C - +100°C



	PN	CL	D	L (Flanged)	L (Welded)	L (Threaded**)
DN15	16, 25, 40	-	15	130	130	100
	-	150		108	140	
	-	300		140	140	
	63, 100	-		130	165	
DN20	16, 25, 40	-	20	150	150	110
	-	150		117	152	
	-	300		152	152	
	63, 100	-		150	190	
DN25	16, 25, 40	-	25	160	160	135
	-	150		127	165	
	-	300		165	165	
	63, 100	-		160	216	
	-	600		216	216	



\* Explanation of pictograms in the main BROEN BALLOMAX type AH product catalogue  
 \*\* Internal pipe thread according to ISO228-1 or NPT according to ASME B1.20.1

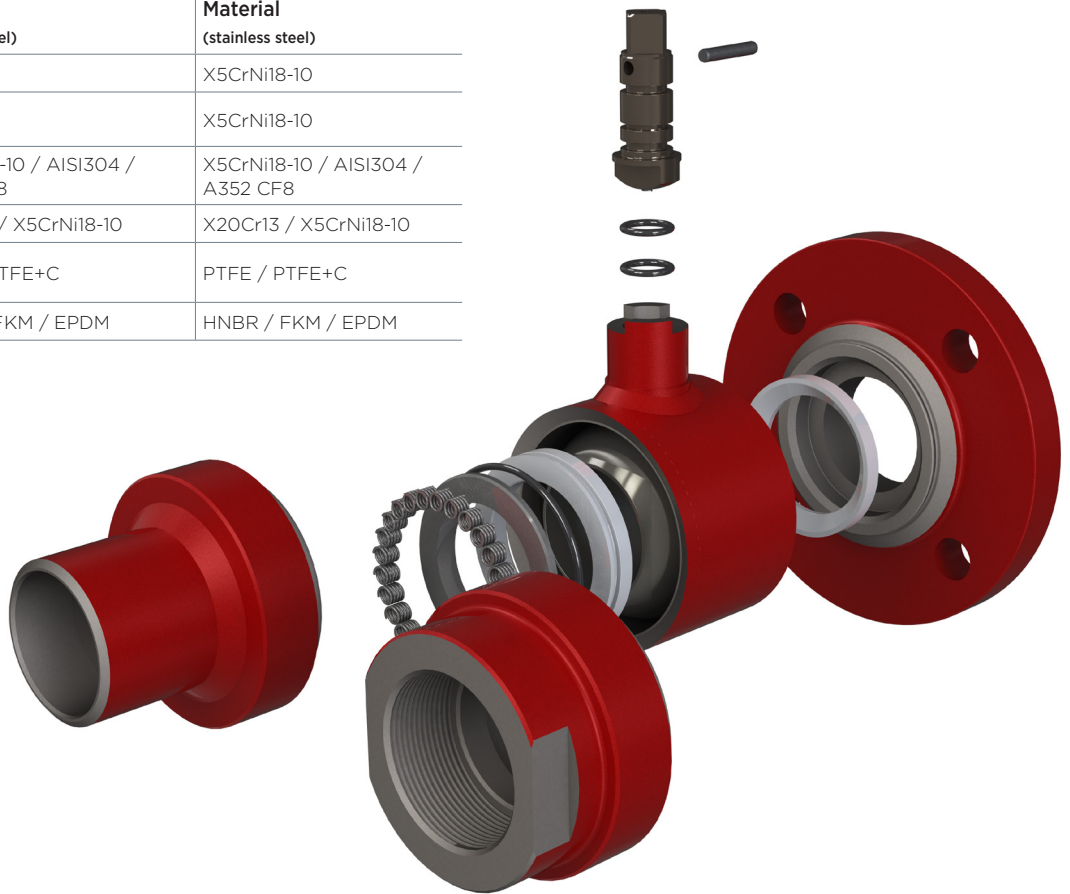
## BROEN BALLOMAX® fully welded ball valves PN 16, PN 25, PN 40, CL 150, CL 300

Part	Material (carbon steel)	Material (stainless steel)
Body	P355NH	X5CrNi18-10
End connection	P355NH	X5CrNi18-10
Ball	X5CrNi18-10 / AISI304 / A352 CF8	X5CrNi18-10 / AISI304 / A352 CF8
Stem	X20Cr13 / X5CrNi18-10	X20Cr13 / X5CrNi18-10
Main seal	PTFE / PTFE+C	PTFE / PTFE+C
O-ring	HNBR / FKM / EPDM	HNBR / FKM / EPDM

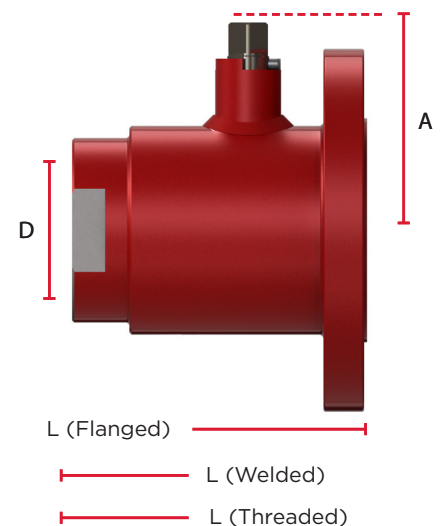
### Temperature range

-20°C - +150°C

-40°C - +100°C



	PN	CL	D	L (Flanged)	L (Welded)	L (Threaded**)	A
DN32	16, 25, 40	-	32	104	270	150	83
	-	150		140	178		
		300		178	178		
DN40	16, 25, 40	-	40	106	190	160	87
	-	150		165	190		
		300		190	190		
DN50	16, 25, 40	-	50	108	216	160	95
	-	150		178	216		
		300		216	216		
DN65	16, 25, 40	-	64	112	241	210	122
	-	150		190	-		
		300		241	-		
DN80	16, 25, 40	-	78	140	283	240	131
	-	150		203	-		
		300		283	-		



\* Explanation of pictograms in the main BROEN BALLOMAX type AH product catalogue

\*\* Internal pipe thread according to ISO228-1 or NPT according to ASME B1.20.1

# BROEN BALLOMAX® fully welded ball valves

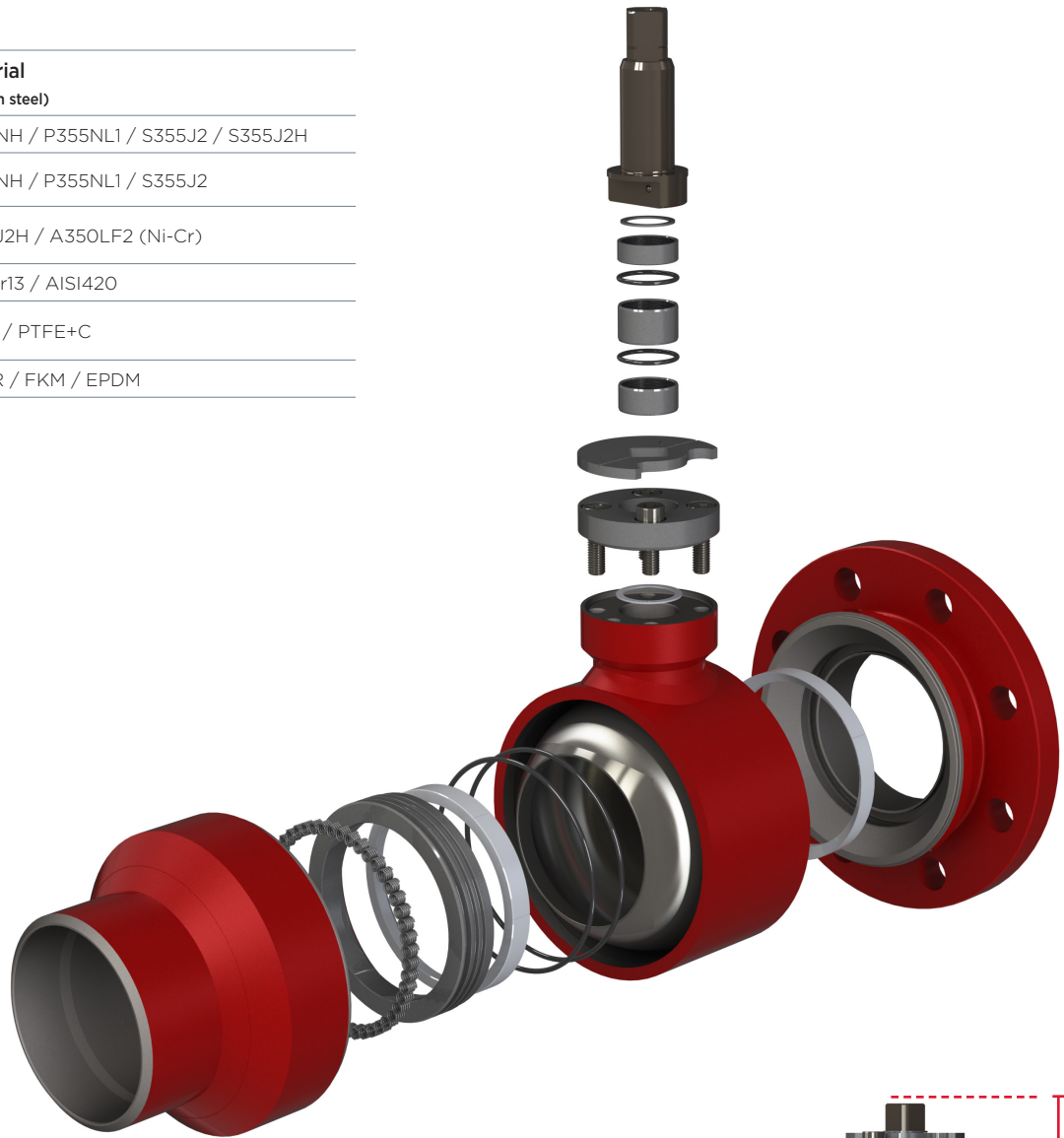
PN 16, PN 25, PN 40, CL 150, CL 300

Part	Material (carbon steel)
Body	P355NH / P355NL1 / S355J2 / S355J2H
End connection	P355NH / P355NL1 / S355J2
Ball	S355J2H / A350LF2 (Ni-Cr)
Trzpień	X20Cr13 / AISI420
Main seal	PTFE / PTFE+C
O-ring	HNBR / FKM / EPDM

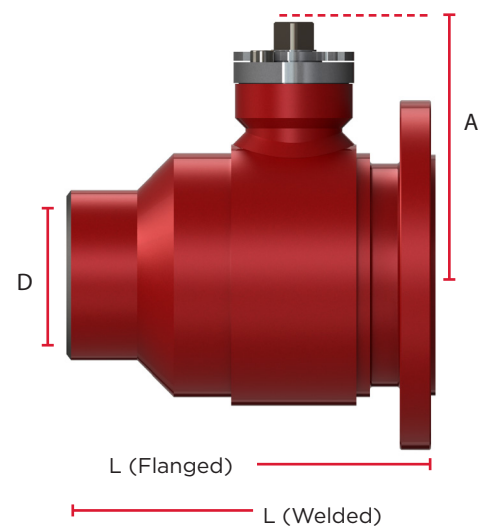
### Temperature range

-20°C - +150°C

-40°C - +100°C



	PN	CL	D	L (Flanged)	L (Welded)	A
DN100	16, 25, 40	-	101	190	305	173
	-	150		229		
DN125	16, 25, 40	-	126	325	600	215
	-	150		394		
DN150	16, 25, 40	-	152	350	457	253
	-	150		394		
	-	300		403		



\* Explanation of pictograms in the main BROEN BALLOMAX type AH product catalogue

# BROEN BALLOMAX® fully welded ball valves

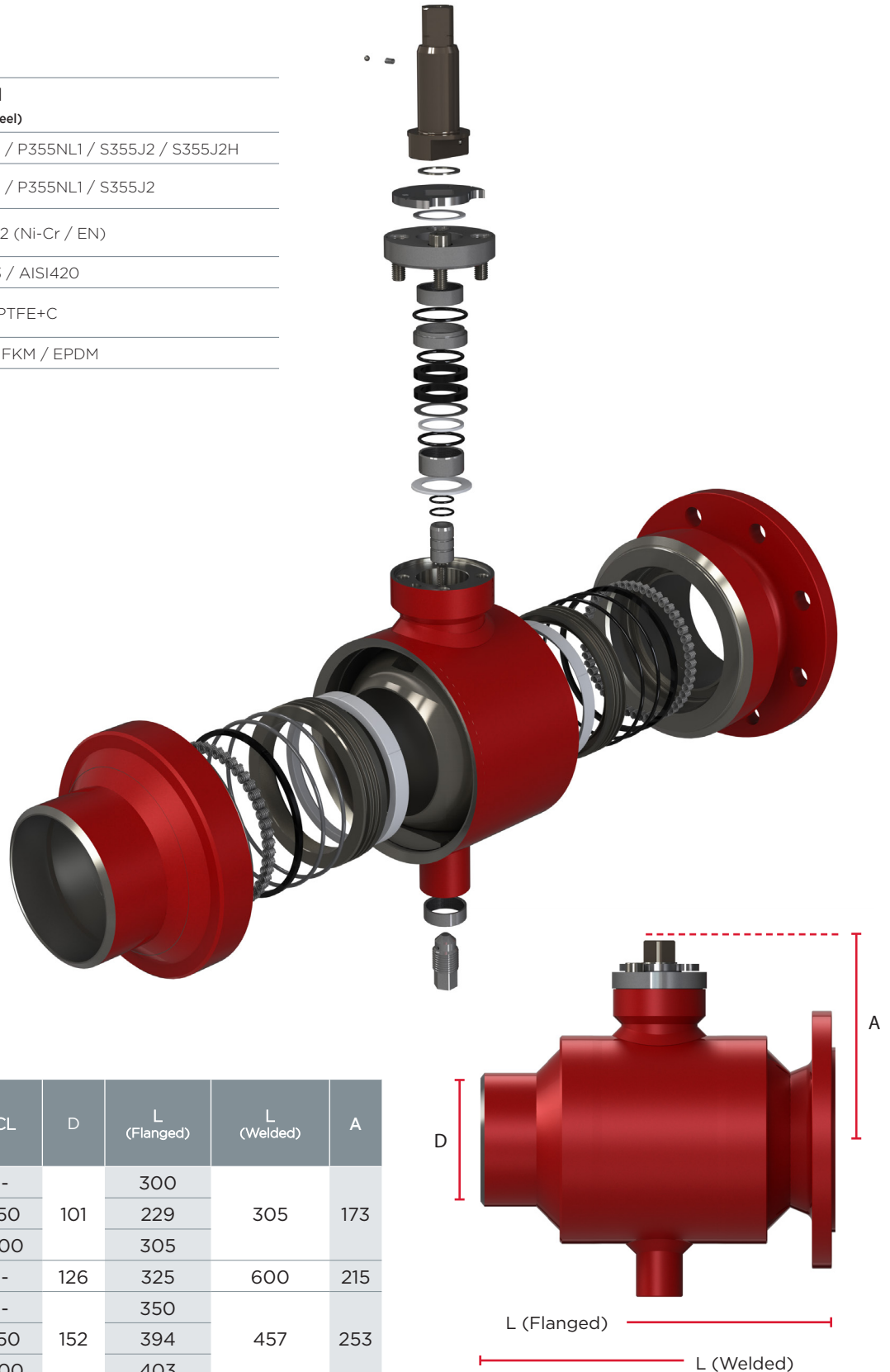
PN 16, PN 25, PN 40, CL 150, CL 300

Part	Material (carbon steel)
Body	P355NH / P355NL1 / S355J2 / S355J2H
End connection	P355NH / P355NL1 / S355J2
Ball	A350LF2 (Ni-Cr / EN)
Stem	X20Cr13 / AISI420
Main seal	PTFE / PTFE+C
O-ring	HNBR / FKM / EPDM

### Temperature range

-20°C - +150°C

-40°C - +100°C



	PN	CL	D	L (Flanged)	L (Welded)	A
DN100	16, 25, 40	-	101	300	305	173
	-	150 300		229 305		
DN120	16, 25, 40	-	126	325	600	215
DN150	16, 25, 40	-	152	350	457	253
	-	150 300		394 403		

\*Explanation of pictograms in the main BROEN BALLOMAX type AH product catalogue

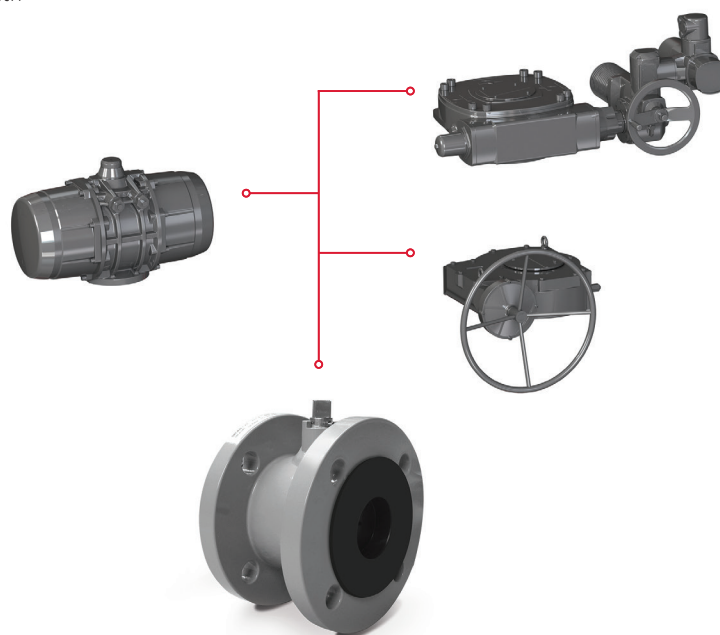
## Characteristics of standard size levers used in BROEN BALLOMAX® type AH ball valves

- Suitable for work with square connections in accordance with EN ISO 5211,
- Possibility of equipping the lever with a locking device, e.g. a padlock,
- Fixing the lever on the connection with a screw,
- Special design at the customer's request, i.e. non-standard length, bending, connection, etc.



## Overview of gears and actuators used in BROEN BALLOMAX® type AH ball valves

BROEN BALLOMAX® type AH ball valves are available with a wide range of gears and actuators: manual, electric, pneumatic, electro-hydraulic, pneumo-hydraulic, etc. Ball valves are equipped with drive connections in accordance with EN ISO 5211.



*Our brand is our promise*

**BROEN**  
VALVE TECHNOLOGIES

## **BROEN Valve Technologies**

BROEN is a leading international manufacturer of valve technology and we operate on three continents across the world with key markets in Europe, China and USA.

For more than 75 years BROEN has been the global leader in the development and production of valve technology for the control of water, air and gas. BROEN delivers complete solutions for HVAC building installations and is a leading supplier of district energy valves and valve technology for natural gas.

We know application and valve technology in depth and in close dialogue with our customers and partners all over the world we create value and reliability with proven valves offering full quality assurance.

Read more at: [www.broen.com](http://www.broen.com)

### **Sales- and productions sites ●**

BROEN A/S, Assens (DK)  
BROEN POLAND, Dzierżonów (PL)  
BROEN POLAND, Rogoźno (PL)  
BROEN INC., Houston (US)  
BROEN Clorius, Dzierżonów (PL)

### **Sales companies and offices ○**

BROEN Assens (DK)  
BROEN Helsinki (FI)  
BROEN SEI, Bucharest (RO)  
BROEN Beijing (CN)  
BROEN Clorius, Shanghai (CN)

