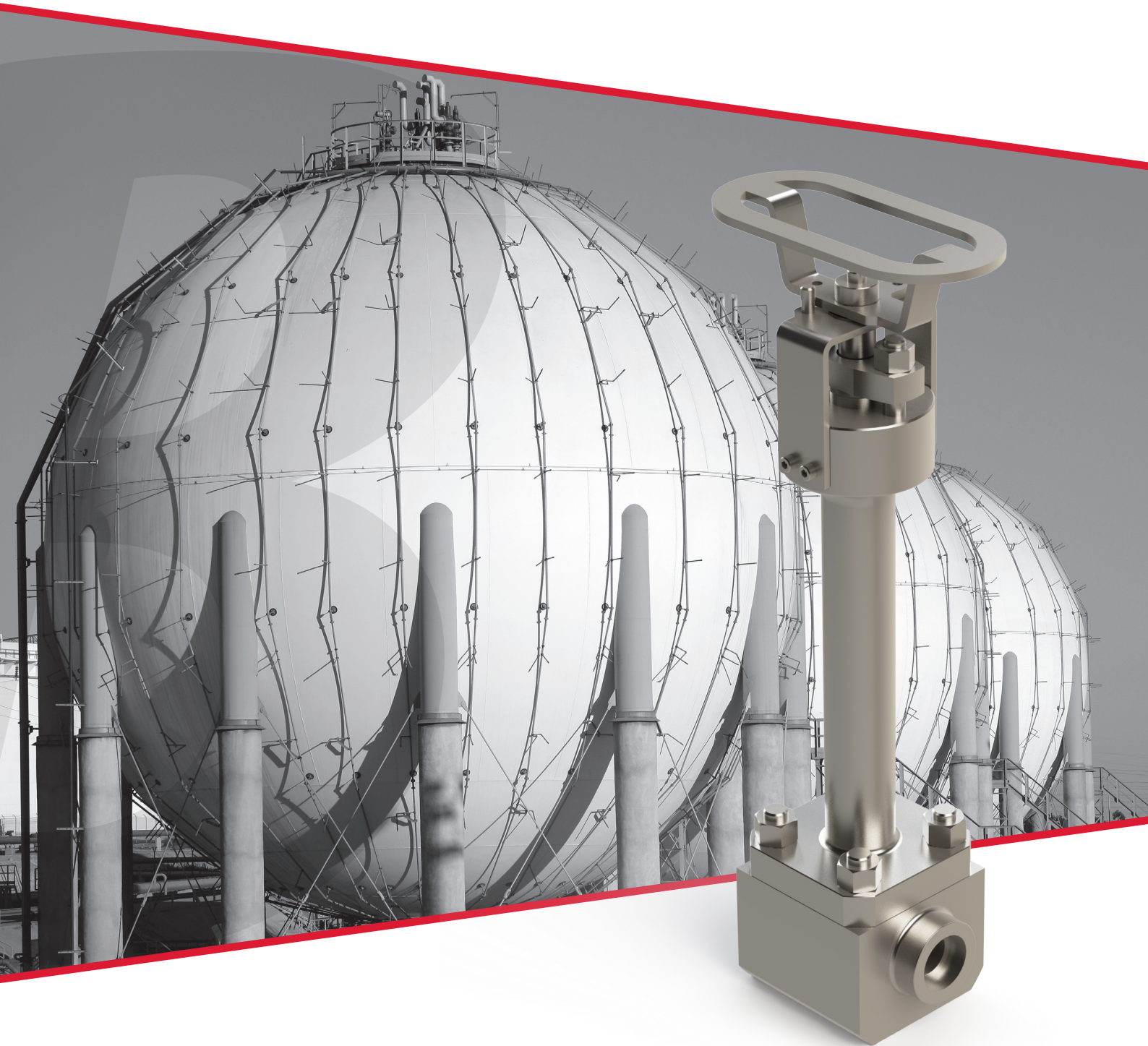


www.broen.com

BROEN
VALVE TECHNOLOGIES

CRYOGENIC BALL VALVES

for LNG



BROEN
BALLOMAX®

Designed to last

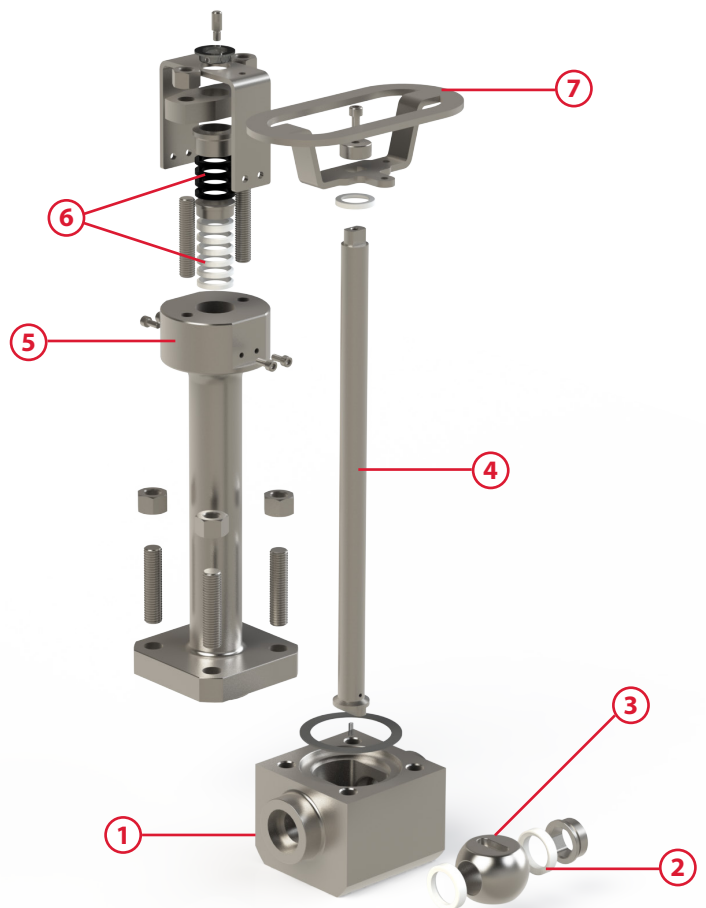
CRYOGENIC BALL VALVES DN15-50

Technical data

Unidirectional ball valve to be installed in flow direction with upstream pressure relief hole.

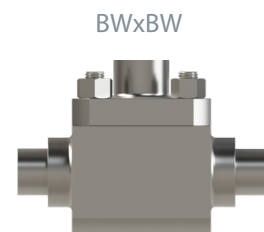
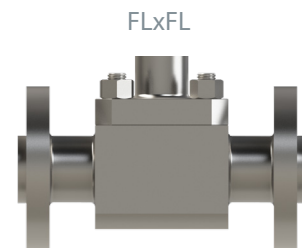
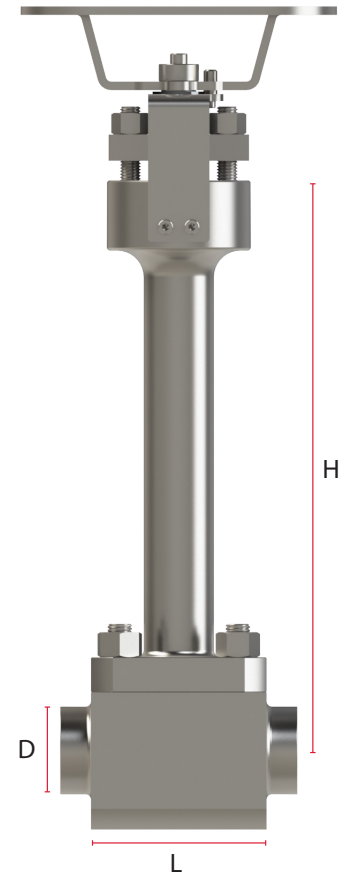
Medium:	LNG	
Size:	DN15-50	
Temperature range:	-196°C to +80°C	
Design acc. to:	EN ISO 28921	
Connections:	Female thread type NPT acc. to ASME B1.20.1	(NPTxNPT)
	Buttweld end connection acc. to ASME B16.25, PN-EN 12627	(BWxBW)
	Socket weld end connection acc. to ASME B16.11, EN 12760	(SWxSW)
	Flange dimensions acc. to ASME B16.5, EN 1092-1	(FLxFL)
Top flange:	EN ISO 5211	

No.	Part	Material
1	Body	316L
2	Ball seal	PCTFE
3	Ball	316L
4	Stem	316L
5	Bonnet extension	316L
6	Gland packing	RPTFE / GRAFIT
7	Lever	316L



Dimensions and connections

DN	PN/CL	L [mm] FLxFL	L [mm] BWxBW	L [mm] SWxSW, NPTxNPT	D [mm]	H [mm]
DN15	PN16	130	130	100	14	According to MSS SP-134
	PN25					
	PN40					
	PN63	140	165			
	PN100					
	CL150	108	140			
	CL300	140	165			
CL600	165	165				
DN20	PN16	150	150	110	19	
	PN25					
	PN40					
	PN63	152	190			
	PN100					
	CL150	117	152			
	CL300	152	190			
CL600	190	190				
DN25	PN16	160	160	135	25	
	PN25					
	PN40					
	PN63	165	216			
	PN100					
	CL150	127	165			
	CL300	165	216			
CL600	216	216				
DN40	PN16	200	190	160	38	
	PN25					
	PN40					
	PN63	241	-			
	PN100		-			
	CL150	165	160			
	CL300	190	160			
CL600	241	241				
DN50	PN16	230	216	160	50	
	PN25					
	PN40					
	PN63	292	-			
	PN100		-			
	CL150	178	160			
	CL300	216	160			
CL600	292	292				



Our brand is our promise

BROEN
VALVE TECHNOLOGIES

BROEN Valve Technologies

BROEN is a leading international manufacturer of valve technology and we operate on three continents across the world with key markets in Europe, China and USA.

For more than 75 years BROEN has been the global leader in the development and production of valve technology for the control of water, air and gas. BROEN delivers complete solutions for HVAC building installations and is a leading supplier of district energy valves and valve technology for natural gas.

We know application and valve technology in depth and in close dialogue with our customers and partners all over the world we create value and reliability with proven valves offering full quality assurance.

Read more at: www.broen.com

Sales- and productions sites ●

BROEN A/S, Assens (DK)
BROEN POLAND, Dzierżoniów (PL)
BROEN POLAND, Rogoźno (PL)
BROEN INC., Houston (US)
BROEN Clorius, Dzierżoniów (PL)

Sales companies and offices ○

BROEN Assens (DK)
BROEN Helsinki (FI)
BROEN SEI, Bucharest (RO)
BROEN Beijing (CN)
BROEN Clorius, Shanghai (CN)

